



TS4-A-O

Module-level PV Optimizer

The TS4-A-O (Optimization) is the advanced add-on optimization solution that brings smart module functionality to standard PV modules for higher reliability. Improve energy efficiency by upgrading underperforming PV systems or adding smart features to new installations.

Complies with 2017 and 2020 NEC rapid shutdown requirements.

The TS4-A-O add-on supports PV modules up to 700W.

Included Features



Module-level **optimization** for increased energy yield and greater design flexibility



Manual or automatic module-level **shutdown**. Complies with NEC 2017 and 2020.



Module-level **monitoring** for energy production tracking and system management

Easy Installation

Snap to standard module frame or remove brackets for rack mounting

Smart Commissioning

Configure and commission with your Android or iOS mobile device



TS4-A-O SPECIFICATIONS

Environmental

Operating Temperature Range -40°C to +70°C (-40°F to +158°F)

Outdoor Rating IP68

Maximum Elevation 2000m

Mechanical

Dimensions W=138.4mm, L= 139.7mm, H= 22.9mm

Weight 520g

Electrical

Total Max Input Voltage (V_{OC} @ Lowest Temperature) 80V

Voltage Range 16 - 80V

Maximum Current 15A

Maximum Power 700W

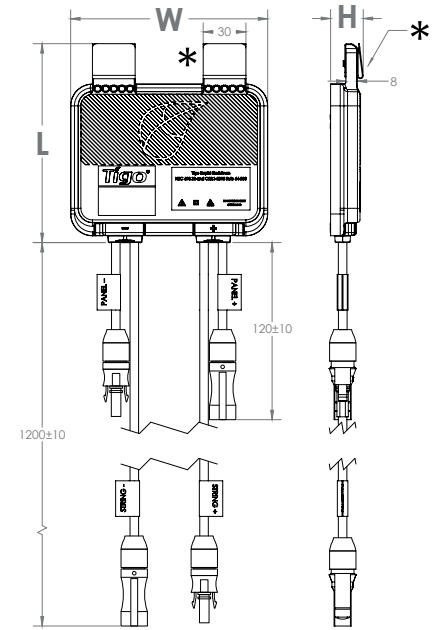
Cable Length (in/out) 0.12/1.2m (standard), 0.62/1.2m (optional)

Connectors MC4, EVO2

Communication Type Wireless

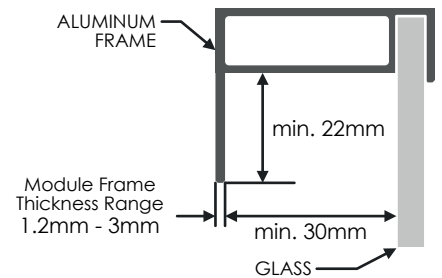
Recommended Fuse Rating 30A

TAP required for module-level shutdown and CCA required for monitoring with TS4-A-O.



*Clips can be removed for rack mounting

Module frame specifications for mounting TS4-A



ORDERING INFORMATION

Standard	Description
461-00252-32	1000V TÜV, 1.2m cable, MC4
461-00261-32	1500V TÜV, 1.2m cable, EVO2
Options	Description
461-00252-62	1000V TÜV, 0.62/1.2m, MC4
461-00261-62	1500V TÜV, 0.62/1.2m, EVO2

For sales info:

sales@tigoenergy.com

For product info:

Visit tigoenergy.com/products

For technical info:

Visit support.tigoenergy.com

For additional info and product selection assistance, use Tigo's online design tool at tigoenergy.com/design

